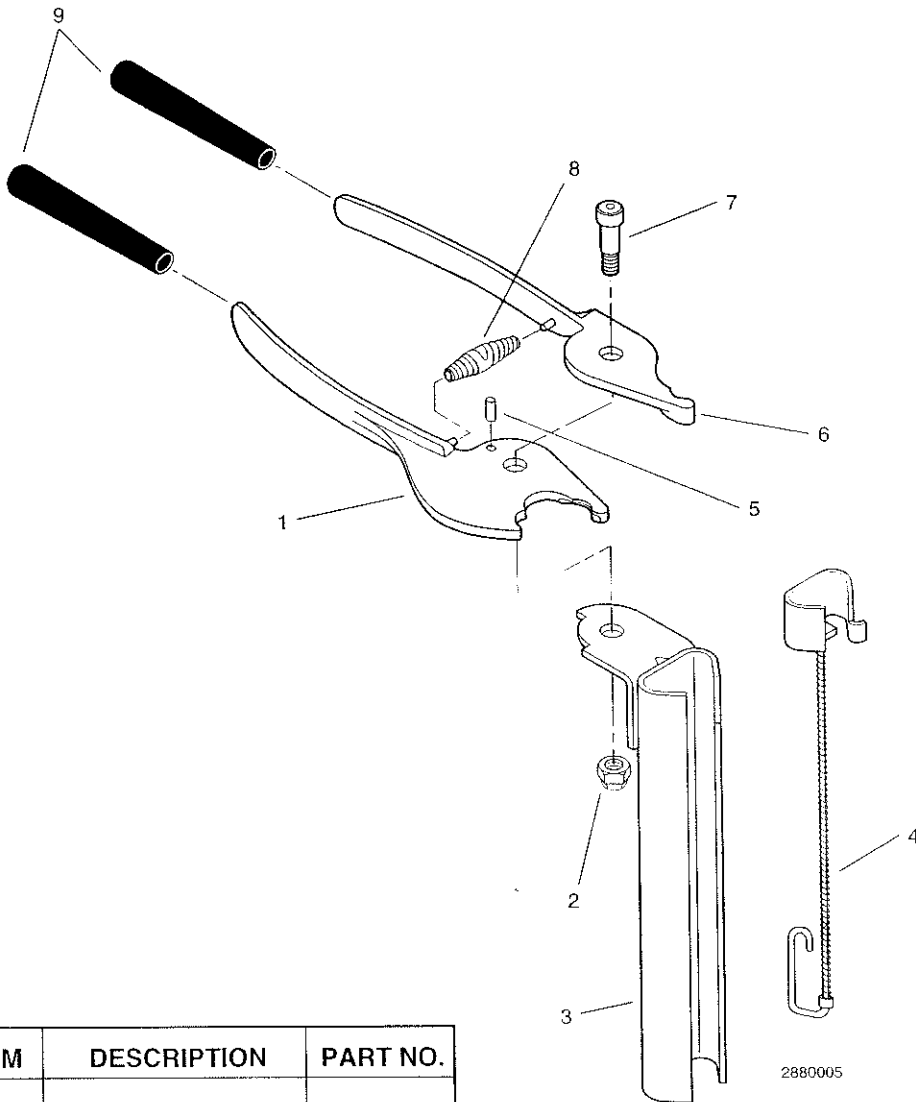


HFP9



ITEM	DESCRIPTION	PART NO.
1	Left Plier Jaw	C03099F
2	Flex Lock Nut	727200
3	Magazine	B03096
4	Pusher Assembly	B03098
5	Magazine Stop Pin	SC78
6	Right Plier Jaw	C03100F
7	Plier Bolt	SC76
8	Spring	B03108
9	Grips (2)	SC75