

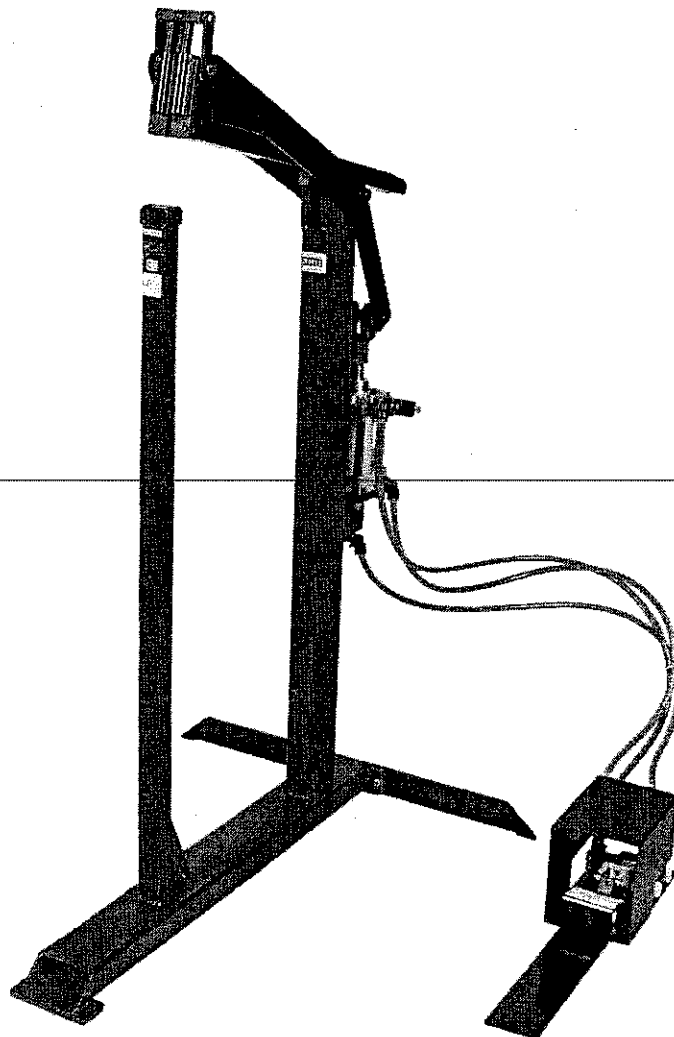
HEAVY DUTY PNEUMATIC BOTTOMER

MODEL: B561APN

MANUAL

WARNING

BEFORE OPERATING THIS STAPLER, ALL OPERATORS SHOULD STUDY THIS MANUAL. TO UNDERSTAND AND FOLLOW THE SAFETY WARNINGS AND INSTRUCTIONS. KEEP THESE INSTRUCTIONS WITH THE STAPLER FOR FUTURE REFERENCE. IF YOU HAVE ANY QUESTION, CONTACT WITH YOUR DISTRIBUTOR.



TOOL SPECIFICATIONS

- MODEL OF TOOL.....
- DIMENSIONS (LENGTH X HEIGHT X WIDTH) MM X MM X MM
- WEIGHT (WITHOUT FASTENERS) KG
- AIR INLET 1/4" NPT
- COMPRESSED AIR:
 - MAXIMUM PERMISSIBLE OPERATING PRESSURE 8 KG/CM²
 - RECOMMENDED OPERATING PRESSURE 5 KG/CM² ~ 6KG/CM²
- STAPLES SPECIFICATION..... CROWN
LENGTH 15MM, 18MM, 22MM
- STAPLES CAPACITY 300 PCS

THE NOISE LEVELS: (AT THE WORKPLACE ALWAYS WEAR HEARING PROTECTION EQUIPMENT.)

A – WEIGHTED SINGLE – EVENT SOUND PRESSURE LEVEL AT OPERATOR'S POSITION :

L pA, Is = 89 Dba

A – WEIGHTED SINGLE – EVENT SOUND POWER LEVEL :

L WA, Is = 93 Dba

A – WEIGHTED SINGLE – EVENT SURFACE SOUND PRESSURE LEVEL:

L Pa, Is, Im = 80 Dba

SAFETY INSTRUCTIONS

DANGER

1. READ THIS MANUAL AND UNDERSTAND ALL SAFETY INSTRUCTIONS BEFORE OPERATING THE TOOL IF YOU HAVE ANY QUESTIONS, PLEASE CONTACT WITH OUR AUTHORIZED REPRESENTATIVES.

2. NEVER USE ANY TYPE OF FLAMMABLE GASE OR OXYGEN AS A POWER SOURCE FOR THE TOOL USE FILTERED, LUBRICATED, REGULATED COMPRESSED AIR ONLY.
3. NEVER USE GASOLINE OR OTHER FLAMMABLE LIQUIDS TO CLEAN THE TOOL. VAPOR IN THE TOOL WILL BE IGNITED BY A SPARK AND CAUSE THE TOOL TO BE EXPLODED.
4. DO NOT EXCEED MAXIMUM PERMISSIBLE OPERATING PRESSURE OF THE TOOL (8 KG/CM²)
5. DISCONNECT THE TOOL FROM AIR SUPPLY BEFORE CLEANING JAMS, SERVICING, ADJUSTING, AND DURING NON – OPERATION.

WARNING

6. AT THE WORKPLACE, ALWAYS WEAR THE PROTECTIVE EQUIPMENT SUCH AS SAFETY GLASSES, HEARING PROTECTION AND HEAD PROTECTION.
7. DO NOT USE A CHECK VALVE OR ANY OTHER FITTING WHICH ALLOWS AIR TO REMAIN IN THE TOOL.
8. DO NOT PLACE YOUR HAND OR ANY PART OF YOUR BODY IN THE STAPLE CLINCHING AREA, BETWEEN COVER A (016) AND MOLD (046)

LUBRICATION AND MAINTENANCE

- DISCONNECT THE AIR SUPPLY FROM THE TOOL BEFORE LUBRICATING, OR SERVICING THE TOOL.

NOTE

- YOUR TOOL REQUIRES LUBRICATION BEFORE YOU USE IT FOR THE FIRST TIME.

TOOL SPECIFICATIONS

- MODEL OF TOOL.....
- DIMENSIONS (LENGTH X HEIGHT X WIDTH) MM X MM X MM
- WEIGHT (WITHOUT FASTENERS) KG
- AIR INLET 1/4" NPT
- COMPRESSED AIR:
 - MAXIMUM PERMISSIBLE OPERATING PRESSURE 8 KG/CM²
 - RECOMMENDED OPERATING PRESSURE 5 KG/CM² ~ 6KG/CM²
- STAPLES SPECIFICATION..... CROWN
LENGTH 15MM, 18MM, 22MM
- STAPLES CAPACITY 300 PCS

THE NOISE LEVELS: (AT THE WORKPLACE ALWAYS WEAR HEARING PROTECTION EQUIPMENT.)

- A – WEIGHTED SINGLE – EVENT SOUND PRESSURE LEVEL AT OPERATOR'S POSITION :
L pA, Is = 89 Dba
- A – WEIGHTED SINGLE – EVENT SOUND POWER LEVEL :
L WA, Is = 93 Dba
- A – WEIGHTED SINGLE – EVENT SURFACE SOUND PRESSURE LEVEL:
L Pa, Is, Im = 80 Dba

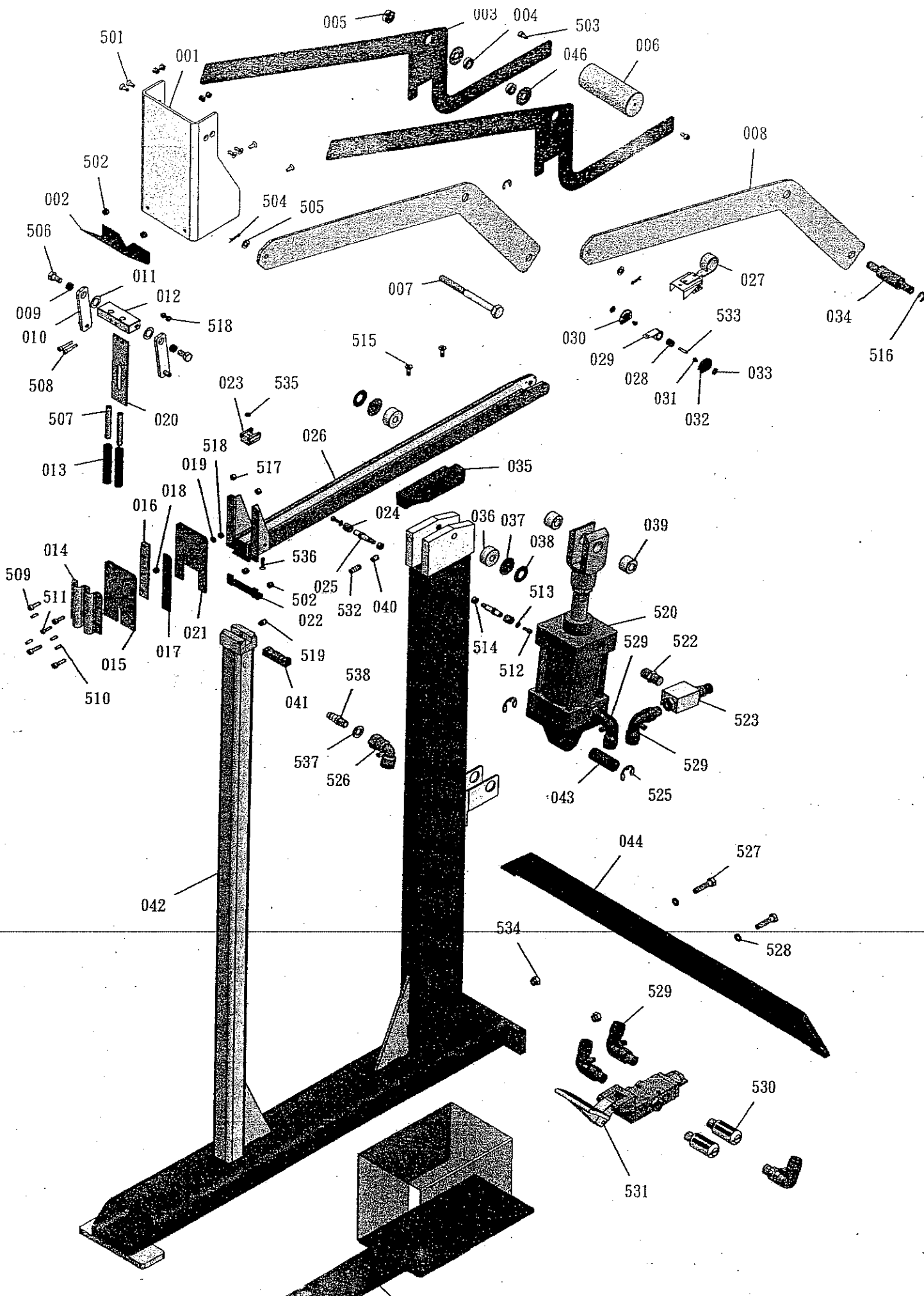
SAFETY INSTRUCTIONS

DANGER

1. READ THIS MANUAL AND UNDERSTAND ALL SAFETY INSTRUCTIONS BEFORE OPERATING THE TOOL IF YOU HAVE ANY QUESTIONS, PLEASE CONTACT WITH OUR AUTHORIZED REPRESENTATIVES

ITEM	PARTS NO.	DESCRIPTION	Q'TY	SPECIFICATION
040	A07305901	SHAFT STOPPER	1	
041	A07402101	MOLD	1	32
041	A07800801	MOLD	1	35,36
042	HCAB-S-P1	BODY SET	1	HCAB
042	HCAS-S-P1	BODY SET	1	HCAS
043	A00700601	SHAFT M	1	
044	A07303901	BALANCER	1	
045	A00700302@	SWITCH COVER UNIT	1	
046	A07403601	WASHER	2	
501	BAC0205122	HEX.SOC.FLAT COUNTER SUNK HD. SCREW	6	M5x0.8-12
502	BAD01051	LOCK NUT	8	M5
503	BAC0605102	HEX.SOC.HD.BOLT	2	M5x0.8-10
504	BAJ0106	SNAP PIN	2	φ6
505	BAE04081	WASHER	2	φ8
506	BAC0808161	HEX.HD.BLOT	2	M8x1.25-16
507	BA080060	SPRING PIN	2	φ3'60
508	BAC0404252	HEX.SOC.HD.BOLT	2	M4x0.7-25
509	BAC0405162	HEX.SOC.HD.BOLT	2	M5x0.8-16
510	BA040012	SPRING PIN	4	φ4'-12
511	BAC0404162	HEX.SOC.HD.BOLT	1	M4x0.7-16
512	BAC0404102	HEX.SOC.HD.BOLT	2	M4x0.7-10
513	BAE04041	WASHER	2	φ4
514	BAD04061	NUT	2	M6
515	BAC0206162	HEX.SOC.FLAT COUNTER SUNK HD. SCREW	2	M6x1-16
516	BAF11002	E-RING	2	φ10
517	BAD04051	NUT	2	M5
518	BAD01041	LOCK NUT	3	M4
519	BAC0308122	HEX.SOC.HEADLESS SCREW	1	M8x1.25-12
520	BAI0107@	CYLINDER SET	1	φ80,S50
521	BAI0703	PU PLUG	1	3/8" x φ 12-90°
522	BAI1002	DOUBLE SCREW TUBE	1	3/8" X3/8",直形
523	BAI1102	QUICK EXHAUST	1	3/8"
524	BAI0703	PU PLUG	1	3/8" x φ 12-90°
525	BAF11502	E-RING	2	φ15
526	BAI1203	PU PLUG	1	内牙1/4"xφ12-90°
527	BAC0808351	HEX.HD.BLOT	2	M8x1.25-35
528	BAE01081	SPRING WASHER	2	φ8
529	BAI0703	PU PLUG	3	3/8" x φ 12-90°
530	BAI0503	DEFLECTOR	2	3/8"
531	BAI0302	SWITCH	1	
532	BAC0308302	HEX.SOC.HEADLESS SCREW	1	M8x1.25-30
533	BA040016	SPRING PIN	1	φ4'-16
534	BAD01081	LOCK NUT	3	M8
535	BAD01041	LOCK NUT	1	M4x0.7
536	BAC0204202	HEX.SOC.FLAT COUNTER SUNK HD. SCREW	1	M4x0.7-20
537	BAE01122	SPRING WASHER	1	φ12
538	A00100801	AIR PLUG	1	JAPANESE 3/8"x5/16"
538	A00100802	AIR PLUG	1	U.S.A. 3/8"x5/16"
538	A00100803	AIR PLUG	1	EUROPEAN 3/8"x5/16"

PARTS NO.	DESCRIPTION	Q'TY	SPECIFICATION
7403401	COVER	1	
5700401	FRONT PLAT	1	
7402601	BRACKET	2	
7402701	TUBE	2	
7304901	NUT	1	
7402901	BALANCER	1	
7402301	SHAFT A	1	
7300101	LINK 1	2	
7402201	SPACER	2	
7400901@	LINK 2 UNIT	2	
0603402	TUBE	2	
7401001	DRIVER SEAT	1	
7401101	SPRING	2	
7401201@	BRACKET SET	1	
7401401	FRONT PLAT	1	
7401601	GUIDE/BLADE L.	1	32
7800701	GUIDE/BLADE L.	1	35
7900701	GUIDE/BLADE L.	1	36
7900701	GUIDE/BLADE R.	1	32
7800601	GUIDE/BLADE R.	1	35
7900601	GUIDE/BLADE R.	1	36
7403301	SHAFT	1	32
7801001	SHAFT	1	35
7900801	SHAFT	1	36
7402501	WASHER	1	
7401901	DRIVER	1	32
7800501	DRIVER	1	35
7900501	DRIVER	1	36
7401701	PLATE/REAR	1	32
7800401	PLATE/REAR	1	35
7900401	PLATE/REAR	1	36
7401801	BRACKET	1	
7400701	BRACKET	1	
7701001	TUBE	2	
7700601	STOPPER	2	
AB-S-32-P2	MAGAZINE UNIT	1	32
AB-S-35-P2	MAGAZINE UNIT	1	35
AB-S-36-P2	MAGAZINE UNIT	1	36
1103710@	PUSHER SET	1	32
1103709@	PUSHER SET	1	35
1100601@	PUSHER SET	1	36
11103501	ROLLER	1	
7403001	SPRING	1	
1103903@	RIGHT PUSHER GUIDE	1	
1103203	ROD	2	
1103904@	LEFT PUSHER GUIDE	1	
0607101	NUT	2	
402801	SHAFT B	1	
400801	BRACKET	1	
7402401	TUBE	2	
305001	SPACER 3	2	
305101	DISHING WASHER	2	
7403201	TUBE	2	



PARTS NO.	DESCRIPTION	Q'TY	SPECIFICATION
7403401	COVER	1	
5700401	FRONT PLAT	1	
7402601	BRACKET	2	
7402701	TUBE	2	
7304901	NUT	1	
7402901	BALANCER	1	
7402301	SHAFT A	1	
7300101	LINK 1	2	
7402201	SPACER	2	
7400901@	LINK 2 UNIT	2	
0603402	TUBE	2	
7401001	DRIVER SEAT	1	
7401101	SPRING	2	
7401201@	BRACKET SET	1	
7401401	FRONT PLAT	1	
7401601	GUIDE/BLADE L.	1	32
7800701	GUIDE/BLADE L.	1	35
9900701	GUIDE/BLADE L.	1	36
7401501	GUIDE/BLADE R.	1	32
7800601	GUIDE/BLADE R.	1	35
9900601	GUIDE/BLADE R.	1	36
7403301	SHAFT	1	32
7801001	SHAFT	1	35
9900801	SHAFT	1	36
402501	WASHER	1	
7401901	DRIVER	1	32
800501	DRIVER	1	35
9900501	DRIVER	1	36
401701	PLATE/REAR	1	32
800401	PLATE/REAR	1	35
9900401	PLATE/REAR	1	36
401801	BRACKET	1	
400701	BRACKET	1	
70701001	TUBE	2	
7070601	STOPPER	2	
AB-S-32-P2	MAGAZINE UNIT	1	32
AB-S-35-P2	MAGAZINE UNIT	1	35
AB-S-36-P2	MAGAZINE UNIT	1	36
103710@	PUSHER SET	1	32
103709@	PUSHER SET	1	35
100601@	PUSHER SET	1	36
103501	ROLLER	1	
403001	SPRING	1	
103903@	RIGHT PUSHER GUIDE	1	
103203	ROD	2	
103904@	LEFT PUSHER GUIDE	1	
607101	NUT	2	
402801	SHAFT B	1	
400801	BRACKET	1	
402401	TUBE	2	
305001	SPACER 3	2	
305101	DISHING WASHER	2	
403201	TUBE	2	

ITEM	PARTS NO.	DESCRIPTION	Q'TY	SPECIFICATION
040	A07305901	SHAFT STOPPER	1	
041	A07402101	MOLD	1	32
041	A07800801	MOLD	1	35,36
042	HCAB-S-P1	BODY SET	1	HCAB
042	HCAS-S-P1	BODY SET	1	HCAS
043	A00700601	SHAFT M	1	
044	A07303901	BALANCER	1	
045	A00700302@	SWITCH COVER UNIT	1	
046	A07403601	WASHER	2	
501	BAC0205122	HEX.SOC.FLAT COUNTER SUNK HD. SCREW	6	M5x0.8-12
502	BAD01051	LOCK NUT	8	M5
503	BAC0605102	HEX.SOC.HD.BOLT	2	M5x0.8-10
504	BAJ0106	SNAP PIN	2	φ6
505	BAE04081	WASHER	2	φ8
506	BAC0808161	HEX.HD.BLOT	2	M8x1.25-16
507	BAA080060	SPRING PIN	2	φ8*60
508	BAC0404252	HEX.SOC.HD.BOLT	2	M4x0.7-25
509	BAC0405162	HEX.SOC.HD.BOLT	2	M5x0.8-16
510	BAA040012	SPRING PIN	4	φ4*12
511	BAC0404162	HEX.SOC.HD.BOLT	1	M4x0.7-16
512	BAC0404102	HEX.SOC.HD.BOLT	2	M4x0.7-10
513	BAE04041	WASHER	2	φ4
514	BAD04061	NUT	2	M6
515	BAC0206162	HEX.SOC.FLAT COUNTER SUNK HD. SCREW	2	M6x1-16
516	BAF11002	E-RING	2	φ10
517	BAD04051	NUT	2	M5
518	BAD01041	LOCK NUT	3	M4
519	BAC0308122	HEX.SOC.HEADLESS SCREW	1	M8x1.25-12
520	BAI0107@	CYLINDER SET	1	φ80,S50
521	BAI0703	PU PLUG	1	3/8" x φ 12-90°
522	BAI1002	DOUBLE SCREW TUBE	1	3/8" X3/8",直形
523	BAI1102	QUICK EXHAUST	1	3/8"
524	BAI0703	PU PLUG	1	3/8" x φ 12-90°
525	BAF11502	E-RING	2	φ15
526	BAI1203	PU PLUG	1	内牙1/4" x φ12-90°
527	BAC0808351	HEX.HD.BLOT	2	M8x1.25-35
528	BAE01081	SPRING WASHER	2	φ8
529	BAI0703	PU PLUG	3	3/8" x φ 12-90°
530	BAI0503	DEFLECTOR	2	3/8"
531	BAI0302	SWITCH	1	
532	BAC0308302	HEX.SOC.HEADLESS SCREW	1	M8x1.25-30
533	BAA040016	SPRING PIN	1	φ4*16
534	BAD01081	LOCK NUT	3	M8
535	BAD01041	LOCK NUT	1	M4x0.7
536	BAC0204202	HEX.SOC.FLAT COUNTER SUNK HD. SCREW	1	M4x0.7-20
537	BAE01122	SPRING WASHER	1	φ12
538	A00100801	AIR PLUG	1	JAPANESE 3/8" X5/16"
538	A00100802	AIR PLUG	1	U.S.A. 3/8" X5/16"
538	A00100803	AIR PLUG	1	EUROPEAN 3/8" X5/16"